

Spare parts - Version 1  
Serial number: 2003xxx –

 **EUROBOOR**  
FOR PROFESSIONALS BY PROFESSIONALS

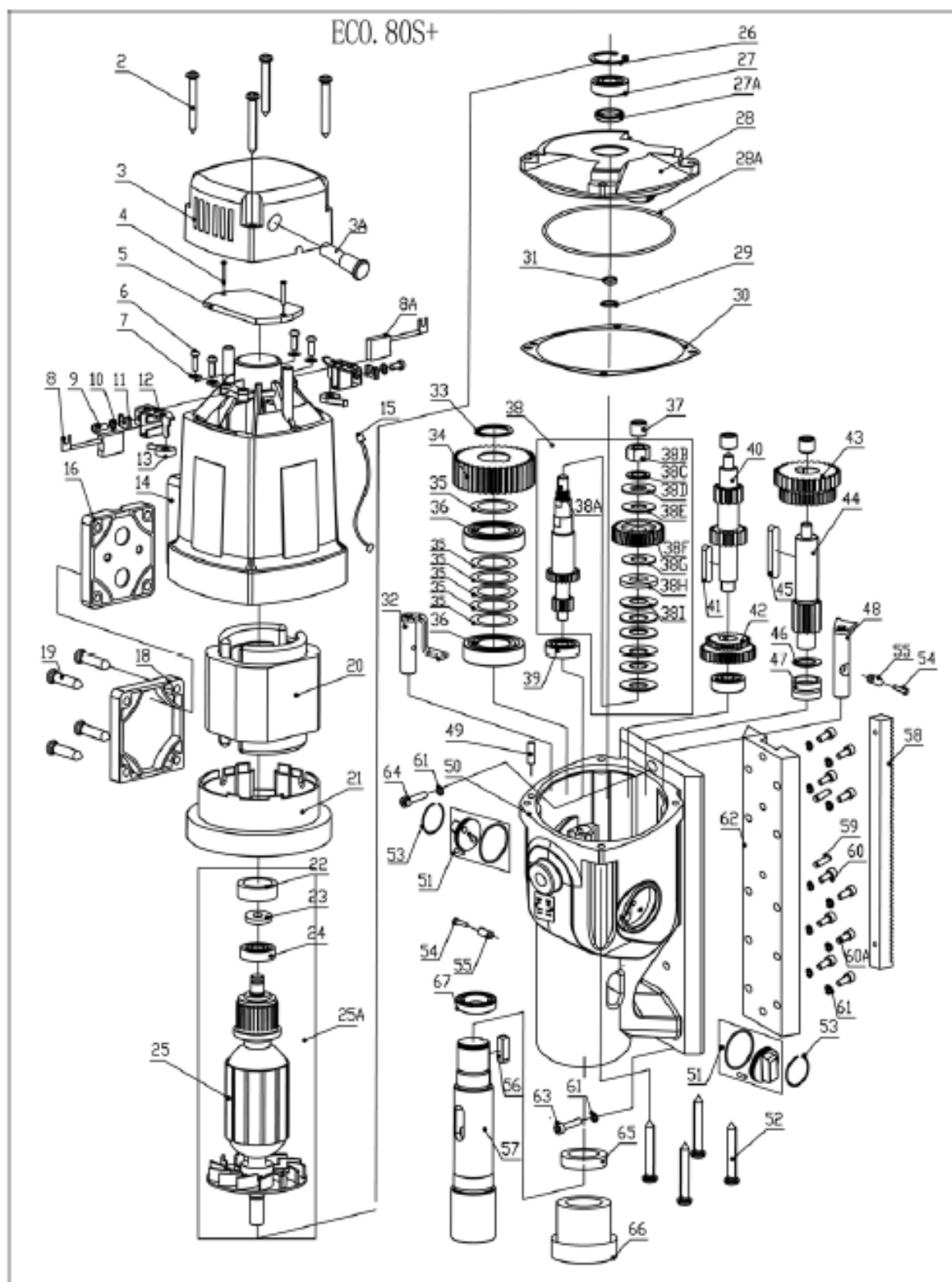
# Magnetic drilling machine

## **ECO.80S+ - V1**

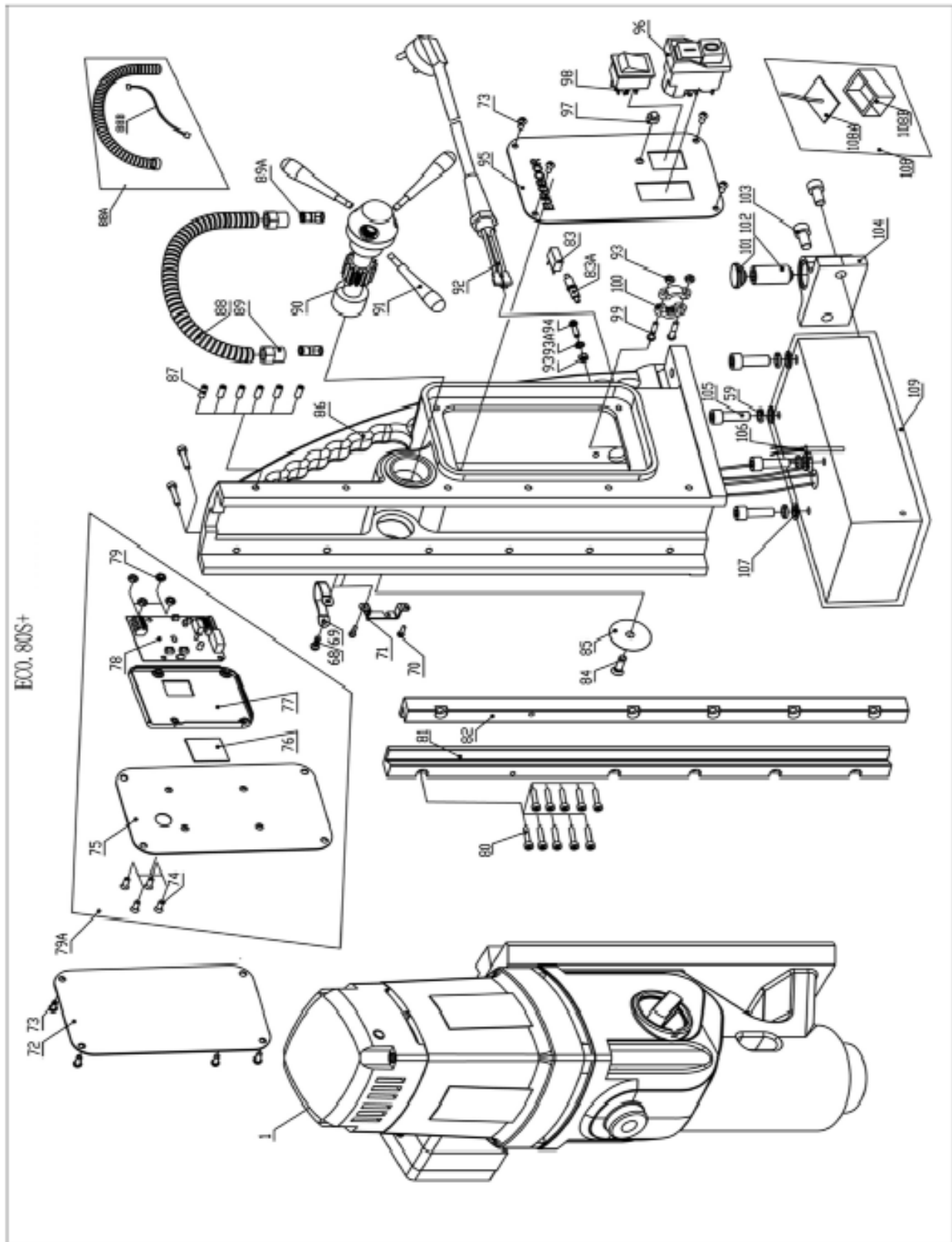
Is your serial number missing? Please contact Euroboor and ask them for more information.

Last update: October 13<sup>th</sup>, 2020

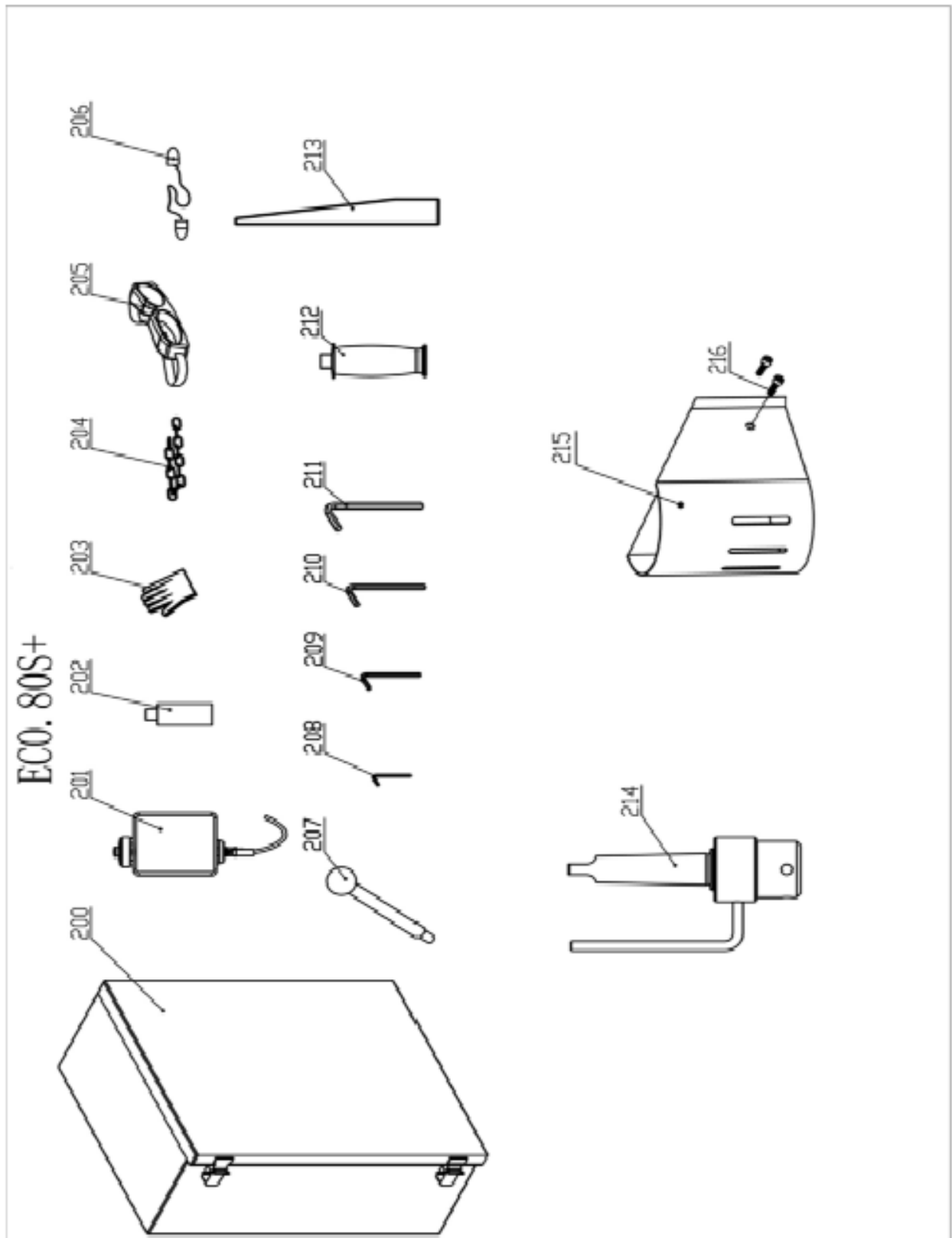
<b>Brand:</b>	<b>Type number:</b>	<b>Serialnumber:</b>
Euroboor	ECO.80S+	2003xxx -



<b>Brand:</b>	<b>Type number:</b>	<b>Serialnumber:</b>
Euroboor	ECO.80S+	2003xxx -



<b>Brand:</b>	<b>Type number:</b>	<b>Serialnumber:</b>
Euroboor	ECO.80S+	2003xxx -



<b>Brand:</b>	<b>Type number:</b>	<b>Serialnumber:</b>
Euroboor	ECO.80S+	2003xxx -

No.	Part no.	Description	Qty
1	080S.1001	Motor 220V ECO.80S+	1
	080S.1001A	Motor 110V ECO.80S+	
2	050.0106	Screw 4.8 x 45	4
3	100.0322Z	End cover	1
3A	020.0278	Led indicator red alarm 110V / 220V	1
4	032.0116	Screw M4 x 16	2
5	100.4006	Control unit top ECO.100 110V / 220V	1
6	100.0372	Carbon brush holder assembly	2
7			
9			
10			
11			
12			
13			
8	100.0368	Carbon brush set 220V	1
	100.0369	Carbon brush set 110V	
8A	100.0368AUTO	Carbon brush 110V / 220V	1
14	100.0388	Housing 1800W	1
15	CS100.0342/2	Cable set 1608 ->	1
16	080.0661	Cable t/s housing inner and outer	1
18			
19	35H.0051_1	Screw M6 x 35	4
20	100.1004-CK-1	Field 220V	1
	100.1004A-CK-1	Field 110V	
21	100.0391	Baffle	1
22	100.0346	Rubber fitting ring	1
23	100.0348	Armature speed disk 1800W/1900W	1
24	080.0351	Bearing 6000	1
25A	100S.1011	Armature 220V	1
	100S.1012	Armature 110V	
26	032.0166	Circlip 472/28/1.2	1
27	050.9070	Bearing 6001V V	1
27A	100S.0064	Bearing 15 x 23 x 3	1
28	100S.0401X	Inner gear plate	1
28A	100S.0071	O-ring 106x1.8	1
29	100.0571	Circlip 471 11 x 1	1
30	100.0458	Gasket big	1
31	130.0065	Ring metal	1
32	100S.1006	Clutch shaft	1
33	100.0426	Circlip 471 24 x 1.2	1
34	080.4324	Spindle gear 38T	1
35	080.4411	Adapter ring	6
36	100.0446	Bearing 6005	2
37	040.0161	Needle bearing HK0810	3
38	100.4312	Friction clutch complete assembly (7T)	1

No.	Part no.	Description	Qty
38A	080.4321	Axle 1 (ECO.80 -> 1412)	1
38B	100.4350	Nut M10	1
38C	100.4351	Washer 12 x 18 x 1	1
38D	100.4338	Friction lock disk 1	1
38E	100.4340	Brass disk 1	1
38F	100.4344	First gear 36T	1
38G	100.4349	Brass disk 2	1
38H	100.4353	Friction lock disk 2	1
38I	100.4352	Tension shell 28	6
39	080.0506	Bearing	2
40	100.4321	Axle 1 28+13T	1
41	040.0301	Key	1
42	100.4491	Double gear 1 25T+39T	1
43	100.4320	Double gear 2 36T+41T	1
44	100.4334	Axle 3 (13T)	1
45	080.0526	Key 3	1
46	080.4486	Washer 14 x 22 x 1	1
47	080.0481	Needle bearing	1
48	100S.1007	Clutch shaft	1
49	100.0549	Casing pin	1
50	080S.1017	Gear box set	1
51	100S.1014	Gear switch	2
52	100.0459	Screw BK 5.5 x 45	4
53	050.0078	Ring 41.5 x 36.5 x 1.5	2
54	020.0329	Screw M4 x 16	2
55	050.0082	Screw holder	2
56	080.0431	Key spindle 6 x 6 x 20	1
57	100.0901	Spindle drive shaft	1
58	100S.0076	Rack 1.5x58T	1
59	020.0003	Pin	2
60	020.0106	Screw M6 x 16	8
60A	360.1025	Bolt M6 x 14	2
61	020.0111	Washer M6 DIN7980	12
62	100S.0462X	Slide	1
63	020.0146B	Screw M6 x 35	1
64	020.0146	Screw M6 x 25	1
65	100S.0067	Wool felt ring 45 x 58 x 5	1
66	100S.0066	Bearing NKX-45	1
67	100S.0065	Bearing 35 x 42 x 8	1
68	KSP.MS	Screw M5 x 10	1
69	020.0298	Motor cable clamp	1
70	KSP.MS	Screw M5 x 10	2
71	KSP.M/3	Tank holder	1
72	080.0016BX.5A	Rear panel 220V	1
	080.0016AX.2A	Rear panel 110V	
73	020.0101	Panel screw BKVZ M4 x 8	8

<b>Brand:</b>	<b>Type number:</b>	<b>Serialnumber:</b>
Euroboor	ECO.80S+	2003xxx -

No.	Part no.	Description	Qty
74	080.1028	Speed control unit 220V	1
75			
76			
77			
78	080.1028A	Speed control unit 110V	1
79			
79A			
80	100.0022	Bolt M5 x 20	12
81	100.0193A	Aluminium rail (L) 22 x 18.5 x 442.5	1
82	100.0193B	Aluminium rail (L) 22 x 18.5 x 442.5	1
83	020.1001	Fuse holder 5 x 20	1
83A	020.0257	Capacitance	1
84	020.0081	End screw BKVZ M6 x 16	1
85	020.0077H	End plate black	1
86	100S.1002	Frame	1
87	020.0516	Screw M5 x 10	6
88	080.1010A	Motor cable	1
88A	360.1040	Motor cable cover	1
88B	CS100.0341/2	Cable set 1608 ->	1
89	020.0032	Adapter PG9 - PG11	2
89A	020.0033	Coupling nut PG11	2
90	100.0101H	Capstan hub assembly black	1
91	020.0314X	Arm for capstan	3
92	032.1016	Main cable 220V EU	1
	020.0036/AU	Main cable 220V AU	
	020.0036/UK	Main cable 220V UK	
	020.0036/UK 110-16A	Main cable 110V UK 16A	
	032.1016A	Main cable 110V USA	1
	020.0031	Coupling nut PG11 (main cable)	1
93	020.0182	Grounding screw/washer/nut	1
93A			
94			
95	080S.0016BX	Front panel ECO.80S+	1

No.	Part no.	Description	Qty
96	030E.0091/Y	Motor switch 220V (5- pin) YELLOW	1
	030E.0092/Y	Motor switch 110V (5- pin) YELLOW	
97	020.0206	LED indicator set	1
98	020.0011/1	Magnet switch	1
93	020.0037	Cable clamp complete	1
99			
100			
101	020.0151	Magnet spring ball	1
102			
103			
104			
105	100.0006	Screw SS M8 x 25	4
106	100.1008	Sensor	1
107	020.0305	Washer M8	4
108	055.1041L	Gyroscope PCB set	1
108A	055.0040L	Gyroscope PCB	1
108B	055.0041	Gyroscope PCB box	1
109	100.1022	Magnet 220V	1
	100.1022A	Magnet 110V	
200	100S.0203S	Metal case set	1
201	100S.2019	Coolant tank	1
202	IBO.0.2L	Bottle 0.2LTR	1
203	SAF.300	Protective gloves	1
204	SAF.400	Safety chain (1 mtr) with lock	1
205	SAF.100	Safety goggles	1
206	SAF.200	Ear plugs	1
207	KSP.P	Pin and knob for cooling tank	1
208	IMB.US2.5	Allen key 2.5 mm	1
209	IMB.US4	Allen key 4.0 mm	1
210	IMB.US5	Allen key 5.0 mm	1
211	IMB.US6	Allen key 6.0 mm	1
212	100S.0002	Side handle M12	1
213	DRIFT3	Drift MT3	1
214	100S.2002	Spindle MT3 19.05 mm Weldon (3/4")	1
215	SAF.MDM	Safety guard for ECO.100/4	1
216	020.0223	Screw M5 x 10	2