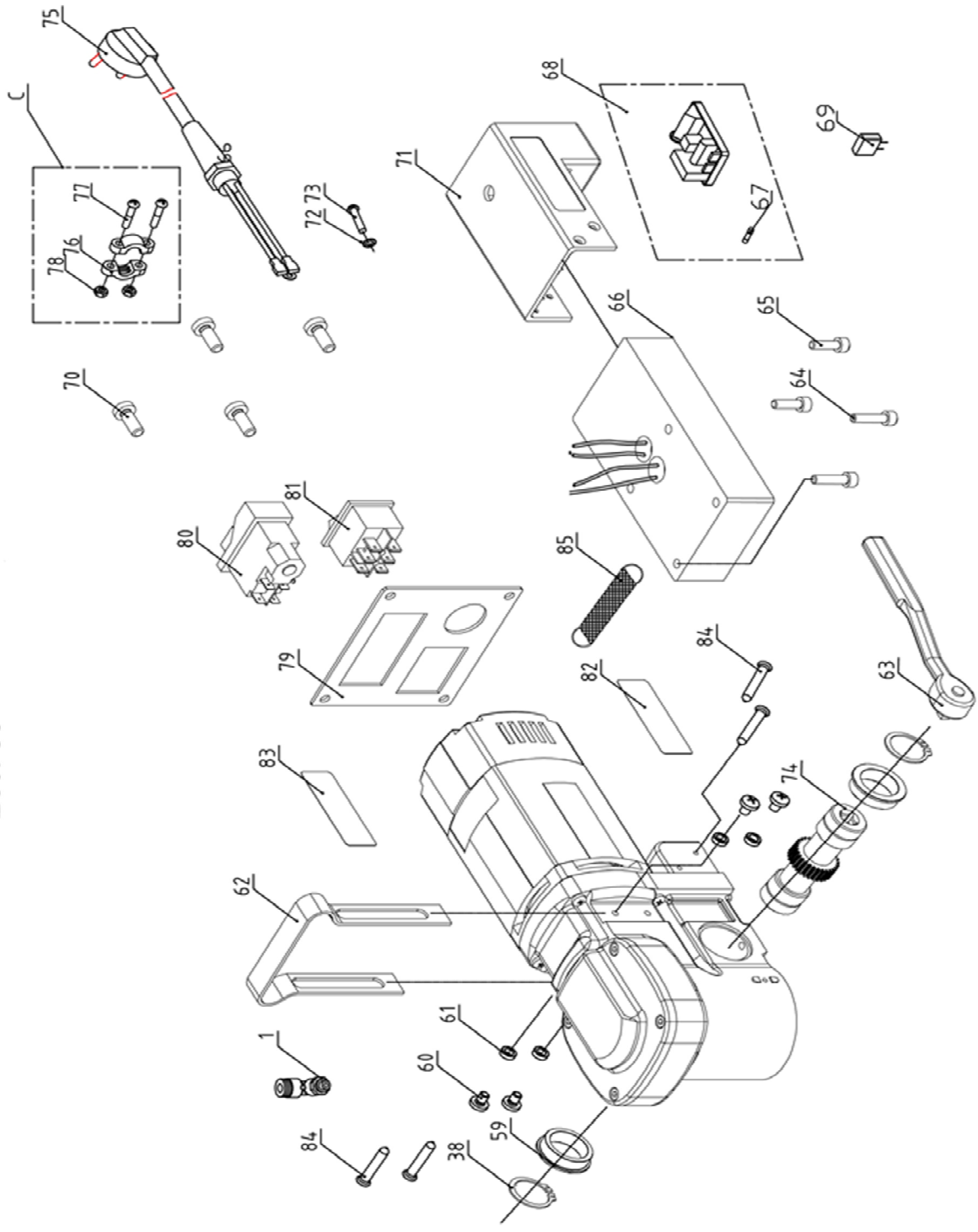


Spare part list Euroboor ECO.36

No.	Description	Article number	Qty
1	Connector	KSP.S	1
2	Torx Screw	036.0043	4
3	End cover	032.0111	1
4	Screw	032.0136	2
5	Carbon brush holder spring	032.0141	2
6	Screw	020.0181A	2
7	Housing	036.1012	1
8	Carbon brush set 220V	032.0146	1
	Carbon brush set 110V	032.0147	
9	Field 220V	036.0047	1
	Field 110V	036.0049	
10	Screw	032.0156	2
11	Baffle	032.0161	1
12-13	Armature incl. bearing 220V	036.1017	1
	Armature incl. bearing 110V	036.1018	
14	Circlip	032.0166	1
15	Bearing	032.0171	1
16	Inner gear plate	036.0236	1
17	Circlip	032.0166	1
18	Gasket	032.0237	1
19-26	Gear assembly	036.1020	1
27	Gear	036.0025	1
28	Gasket	036.0138	1
29	Gear	036.0035	1
30	Screw	036.0007	4
31	Screw	036.0012	4
32	Gear plate	036.0002	1
33-34	Gear/shaft assembly	036.1021	1
35	Bearing	036.0022	1
36	Torx Screw	036.0044	4
37	Bearing	036.0023	1
38	Circlip	036.0018	3
39	Pin	050.0025	2
40-41	Gearbox incl. adaptor ring	036.1022	1
42-57	Spindle assembly complete	036.2002	1
58	Tube	036.0017	1
59	Adaptor ring	036.0064	2
60	Screw	036.0028	4
61	Screw	036.0029	4
62	Handle	036.0152	1
63	Spanner	036.0026	1
64	Screw	360.1024	2
65	Screw	020.0146	2
66	Magnet	036.1005	1
67	Fuse	020.0017	1

67-68	Control unit incl. fuse 220V	020.0001/3	1
	Control unit incl. fuse 110V	020.0001/31	
69	Capacitor	020.0257	1
70	Screw	055.0022	4
71	Cable cover	036.0003	1
72	Washer	040.0286F	1
73	Screw	036.0007	1
74	Arm capstan	036.0065	1
75	Main cable 220V Europe	020.0036	1
	Main cable 220V Australia	020.0036/AUS	
	Main cable 110V USA	020.0036/USA	
	Main cable 220V UK	020.0036/UK	
	Main cable 110V UK	020.0036/UK 110-16A	
76-78	Cable clamp assembly	020.0037	1
79	Switch panel	036.0006	1
80	Motor switch 220V	030E.0091/Y	1
	Motor switch 110V	030E.0092/Y	
81	Magnet switch	020.0011	1
82	Type plate 220V CE	036.0015	1
	Type plate 110V ETL	036.0015A	
83	Instruction plate	036.0016	1
84	Screw	036.0036	4
85	D-belt	036.0040	1
200	Machine case	CAS.36	1
201	Coolant tank	036.2019	1
202	Coolant oil, 200ml bottle	IBO.10.200	1
203	Glove	SAF.300	1
204	Safety belt	036.0033	1
205	Glass	SAF.100	1
206	Ear Plug	SAF.200	1
207	Allen key	IMB.US3	1
208	Thumb screw	036.0027	2
209	Safety guard	036.0111	1

ECO. 36



ECO. 36

