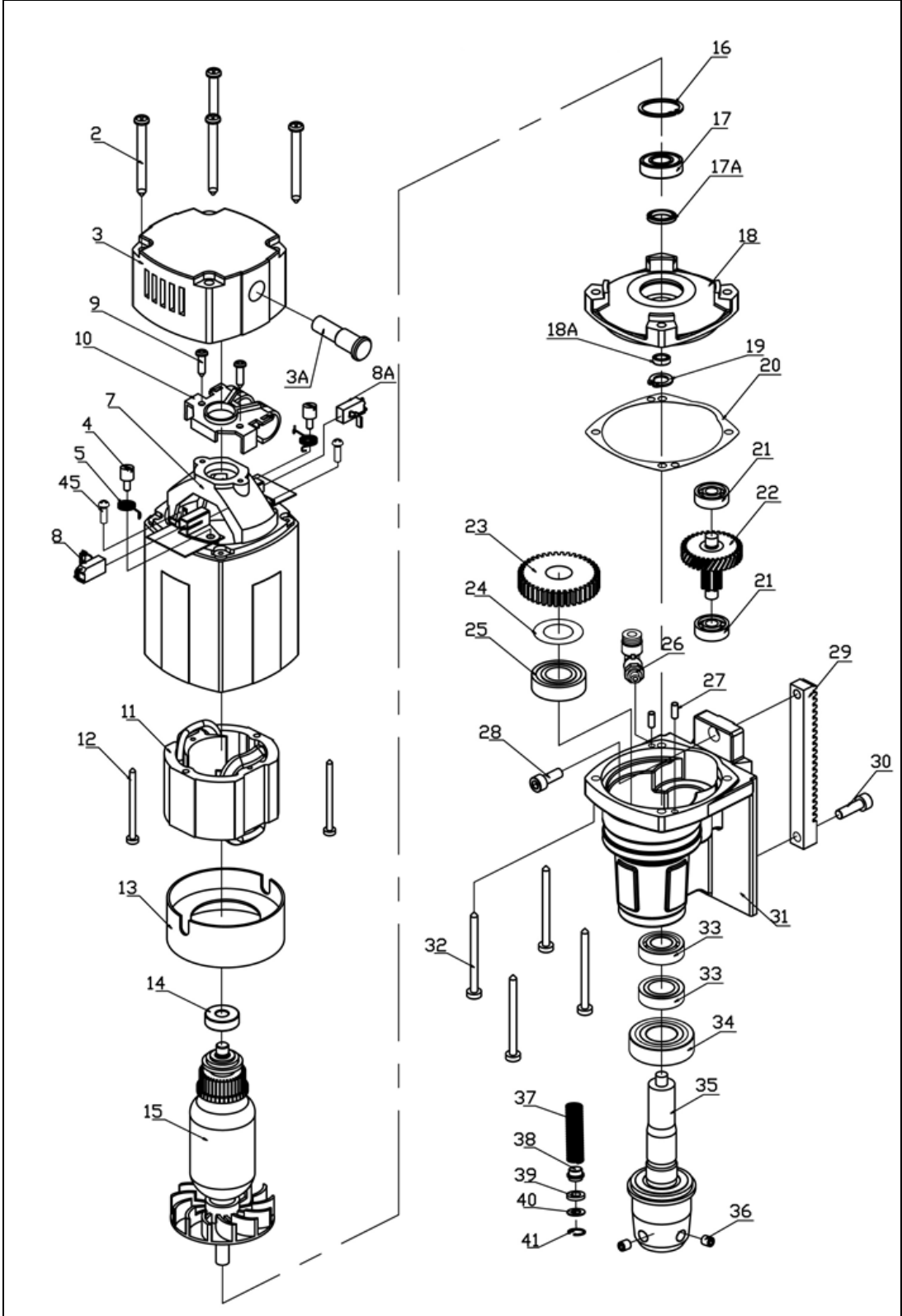
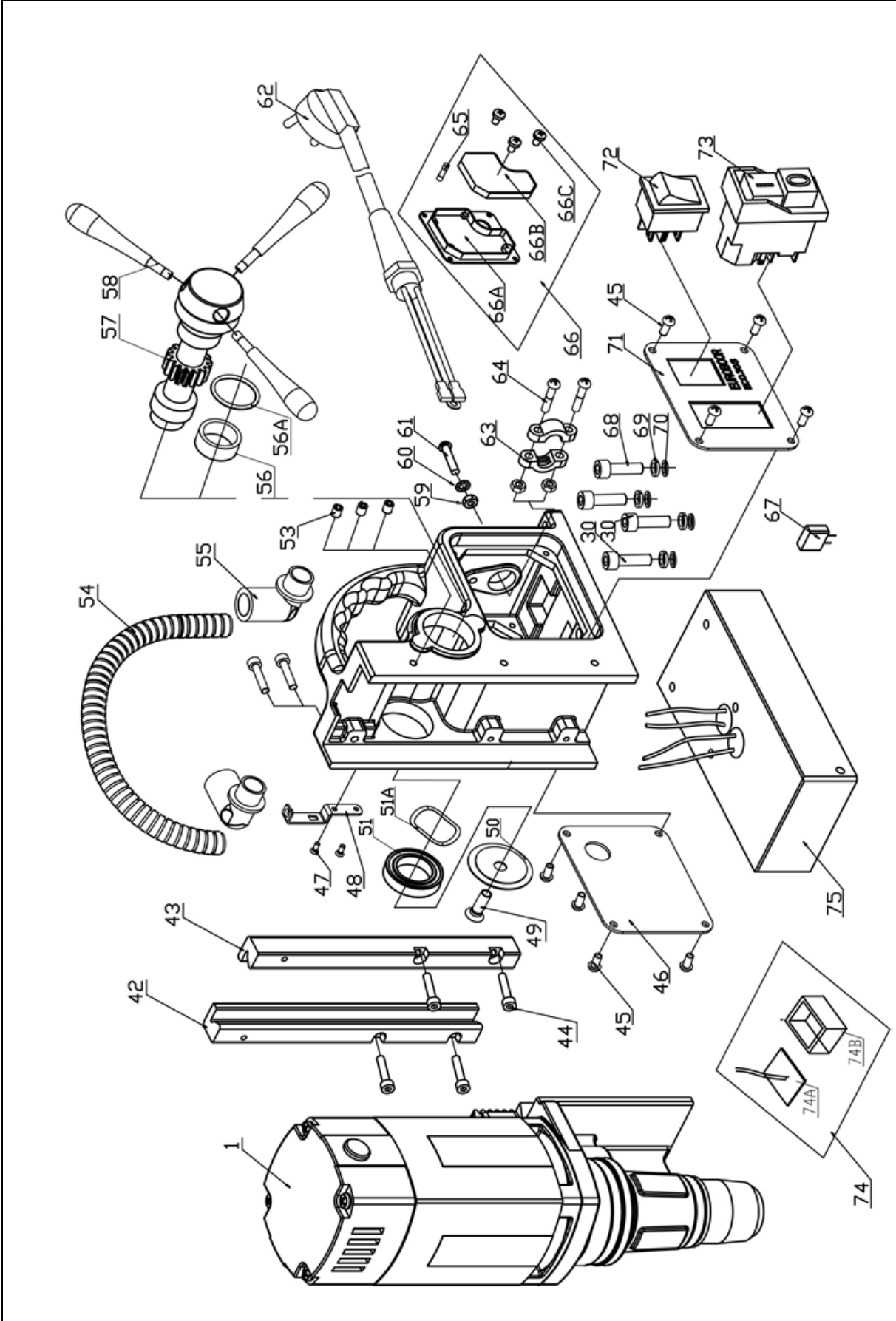
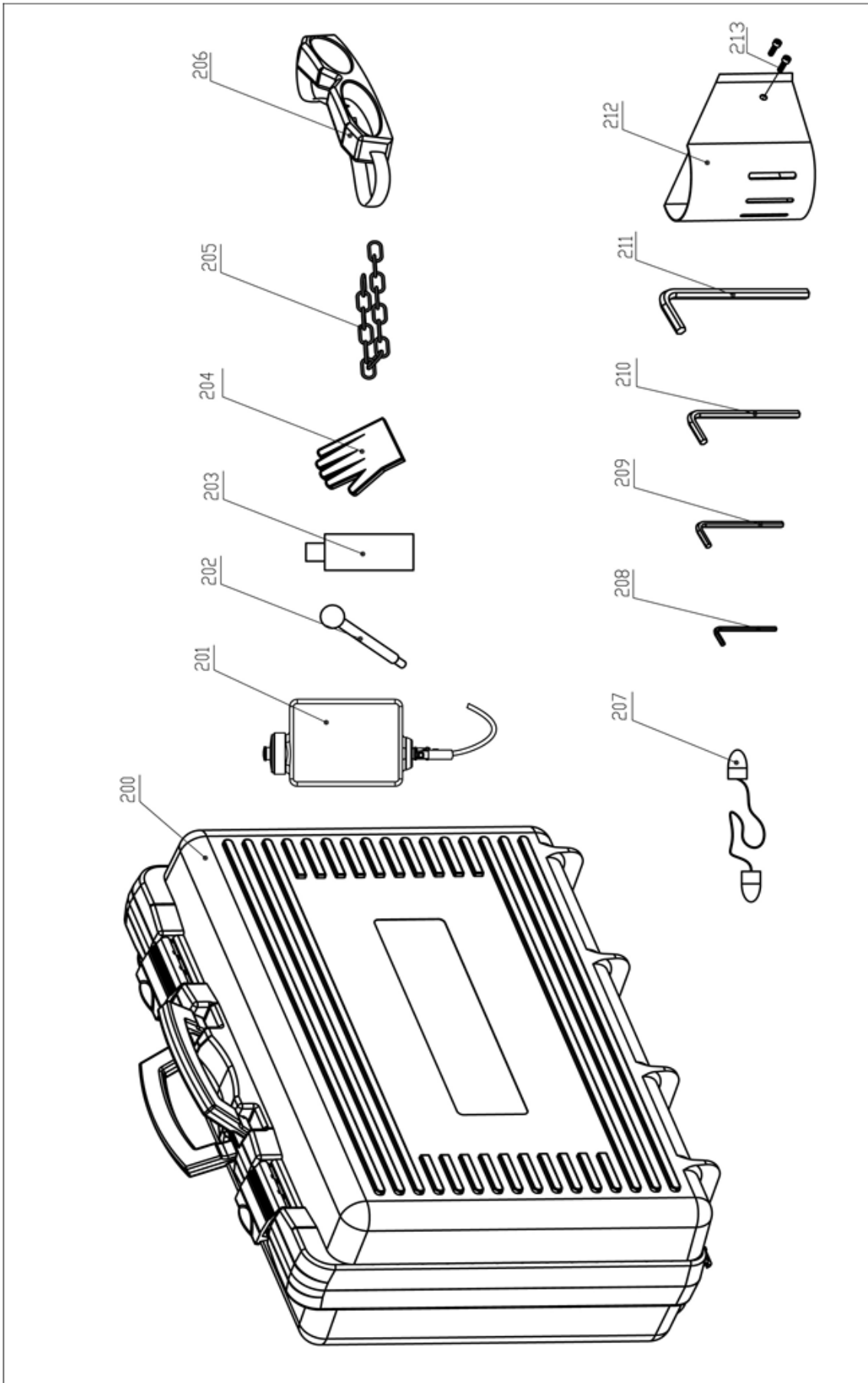


Exploded views & spare parts list

Exploded views







Spare parts list

No.	Part no.	Description	Qty
1	030S.1001	ECO.30S+ motor unit 220V ext. cable	1
	030S.1001A	ECO.30S+ motor unit 110V ext. cable	
2	036.0043	Torx screw M4.8 x 55	4
3	032.0111Z	End cover 110 - 220 Volt	1
3A	020.0278	Led indicator red alarm 110 - 220 Volt	1
4	032.0136	Screw for spring	2
5	032.0141	Spring	2
7	032.0241	Housing incl. carbon brush holder	1
8	032.0146	Carbon brush set 220V	1
	032.0147	Carbon brush set 110V	
8A	032.0146AUTO	Carbon brush 110 - 220 Volt	1
9	032.0116	Screw M4 x 16	2
10	032.0131-1	Adapter ring cap	1
11	032.0151	Field 220V	1
	032.0152	Field 110V	
12	032.0156	Screw BK 4 x 55	2
13	032.0161	Baffle	1
14	032.0126	Bearing 608ZZ 8 x 22 x 7	1
15	030S.0181	Armature 220 Volt	1
	030S.0182	Armature 110 Volt	
16	032.0166	Circlip 472/28/1.2	1
17	050.9070	Bearing 6001V V	1
17A	050.0064	Oil bearing 15 x 21 x 3	1
18	040S.0236X	Inner gear plate	1
18A	040S.0065	Rotor iron seal	1
19	020.0308	Circlip	1
20	040S.0128	Gasket	1
21	032.0221	Bearing 608 8 x 22 x 7	2
22	032.0226	First gear 34 T	1
	032.0231	Axle 8T	
23	032.0186	Spindle gear 40T	1
24	032.0191	Adapter ring 17 x 24 x 0.2	1
25	032.0196	Bearing 6003 17 x 35 x 10	1
26	KSP.S	Coolant connector Quick (blue ring)	1

No.	Part no.	Description	Qty
27	050.0025	Pin 4 x 10	2
28	030.0012	Screw motorhousing	1
29	030E.5029	Rack	1
30	020.0156	Bolt M6 x 20	1
31	030S.0008X	Gear box 110 - 220 Volt	1
32	032.0216	Screw BK 5 x 40	4
33	030E.5033	Seal	2
34	030E.5034	Bearing nsk 6004 ddu	1
35	030E.5035	Spindle inc. spring set	1
36	020.0136	Grub screw M8 x 8	2
37	030E.5037	Spring set	1
38			
39			
40			
41			
42	030E.5042	Guide rail Aluminium left ECO.30	1
43	030E.5043	Guide rail Aluminium right ECO.30	1
44	020.0086/S	Rail screw for Mark II frame SS M4 x 20	6
45	020.0101	Panel screw BKVZ M4 x 8	10
46	PP.30/2	Rear panel ECO.30 220V	1
	030.0005XB	Rear panel ECO.30 110V	
47	KSP.MS	Screw M5 x 10	2
48	KSP.M/4	Tank holder ECO.30(S) (frame side)	1
49	020.0081	End screw BKVZ M6 x 16	1
50	050.0030	Ender cover Ø36 X 3	1
51	050.0063	Bearing 6804 ZZ	1
51A	040.0023	Washer	1
52	030S.0001X	Frame 110 - 220 Volt	1
53	020.0056/S	Screw SS M5 x 6	3
54	360.1040	Motor cable cover	1
55	030E.5055	Coupling nut angle	2
56	032.0127A	Bearing 110 - 220 Volt	1
56A	030.0027	Washer	1
57	020.0061/Z	Capstan hub assembly	1
58	030.0030X	Arm for capstan	3

No.	Part no.	Description	Qty
59	020.0182	Grounding screw/washer/nut	1
60			
61			
62	020.0036	Main cable 220V EU	1
	020.0036/AU	Main cable Australia	
	020.0036/UK	Main cable UK 220V	
	020.0036/UK 110-16A	Main cable UK 110v 16A	
	020.0036/USA	Main cable USA	
	020.0031	Coupling nut PG11 (main cable)	1
59	020.0037	Cable clamp complete	1
63			
64			
65	020.0017	Fuse 5 x 20 F2A	1
66	030S.1004	Control unit 110 - 220 Volt	1
67	020.0257	Capacitance	1
68	020.0146	Screw M6 x 25	2
68A	020.0156	Bolt M6 x 20	2
69	020.0111	Washer M6 DIN7980	4
70	020.0112	Washer M6	4
71	030S.0004	Front panel ECO.30S+	1
72	020.0011-1	Magnet switch	1

No.	Part no.	Description	Qty
73	030E.0091/Y	Motor switch 220V (5-pin) YELLOW	1
	030E.0092/Y	Motor switch 110V (5-pin) YELLOW	
74	055.1041	Gyroscope PCB set	1
75	030E.5072/2	Magnet ECO.30 1507 ->	1
	030.1005A	Magnet 110V	
200	030S+.2010	Case ECO.30+ with sticker	1
201	KSP.Q2	Coolant tank Quick Connect 2015	1
202	KSP.P	Pin and knob for cooling tank	1
203	IBO.0.2L	Bottle 0.2LTR	1
204	SAF.300	Protective gloves	1
205	SAF.400	Safety chain (1 mtr) with lock	1
206	SAF.100	Safety goggles	1
207	SAF.200	Ear plugs	1
208	IMB.US2.5	Allen key 2.5 mm	1
209	IMB.US3	Allen key 3.0 mm	1
210	IMB.US4	Allen key 4.0 mm	1
211	IMB.US5	Allen key 5.0 mm	1
212	SAF.MDMS	Safety guard small	1
213	020.0511	Bolt M5 x 10	2
	IBC.70	Pilot pin Ø6.35 x 77 mm	1
	IBO.G101	Gearbox oil	1